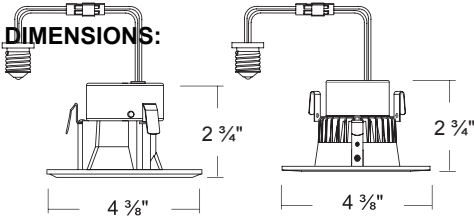


Discontinued 06/2023.

LLBRK-LED350 Series

3.5" Recessed downlight retrofit with round or square die-cast trimplate designed to fit most standard 3.5" recessed cans

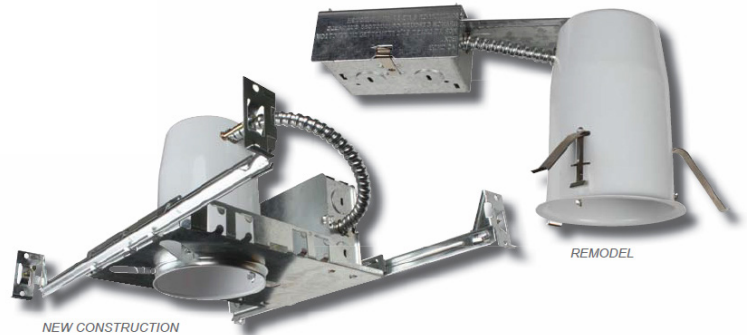
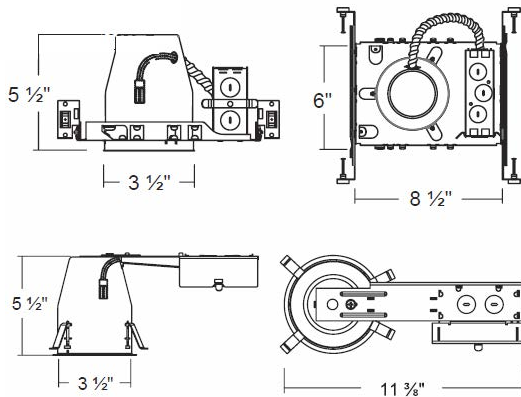
120V/9W/90CRI/30K/560LM/ Dimming Wet Location Rated



LLBL350IC Series

3.5" recessed cans for new construction as well as remodel applications. Galvanized steel construction.

DIMENSIONS:



ORDERING INFORMATION

PART #	NOTES
LLBRK-LED350-BW-30K	Round Trimplate 120V/9W/90CRI/30K/560LM/ESTAR
LLBRK-LED350-BWSQ-3K	Square Trimplate 120V/9W/90CRI/30K/560LM/ESTAR

PART #	NOTES
LLBL350ICATLEDNND-QN	3 1/2" Dedicated LED IC housing for new construction applications
LLBL350ICATLEDRND-Q	3 1/2" Dedicated LED IC housing for remodel applications

LLBRK-LED350 Series

3.5" Recessed downlight retrofit designed to fit most standard 3.5" recessed cans.

See Ordering Section for Performance Notes and Energy Star/T24 Certifications.

Construction:

- Durable White Painted Diecast Retrofit.
- Compatible with most 3.5" housings.
- no tools required for installation.
- Quick connect wiring; includes E26 Socket Adapter.
- Suitable for use in ICAT, AT, and Non-IC recessed housings.
- Tested in accordance with IESNA LM79 & LM80
- Compatible with LLBL350IC Series housings.

Performance:

- 120V
- Power Consumption: 9w
- CRI: 90
- Dimming: 5% with most dimmers
- Operating temperature: -30 C- 40C (-22F – 104F)

Notes/Certifications/Warranty:

- Due to diecast construction, not suitable for coastal/salt water exposure
- ETL Listed for Wet Locations
- Passes FCC Class B
- ROHS Compliant
- Meets CA Title 24 requirements
- Energy Star Qualified
- Five Year warranty



LLBL350IC Series

3.5" recessed cans for new construction as well as remodel applications.

Construction:

- Galvanized steel construction.
- Housing on new construction model can be removed from frame to provide access to the junction box.
- Dedicated housings for LED trims/modules
- Contains one 1 1/8", six 7/8" knockouts and four romex pryouts with stain relief
- 2-pin snap-on connector for easy connection to LED trims/modules.
- Bar hangers on new construction model are adjustable from 13 5/8" to 25" and can be repositioned 90° on plaster frame
- Four clips on remodel cans provided to secure to housing and accommodate 1/2" and 5/8" ceilings
- Pre-installed real nail on new model cans easily installs in regular and engineered lumber

Notes/Certifications/Warranty:

- Lumen output dependant upon LED trim/module used
- Tested in accordance with IESNA LM79 & LM80
- ETL Listed for damp locations
- Energy Star qualified
- Passes FCC Class B
- Meets State of California Title 24 requirements.
- 5 Year Limited Warranty on Electronics and Housing.

